

Transaxle power flows

Student Name _____

KEY

Date _____

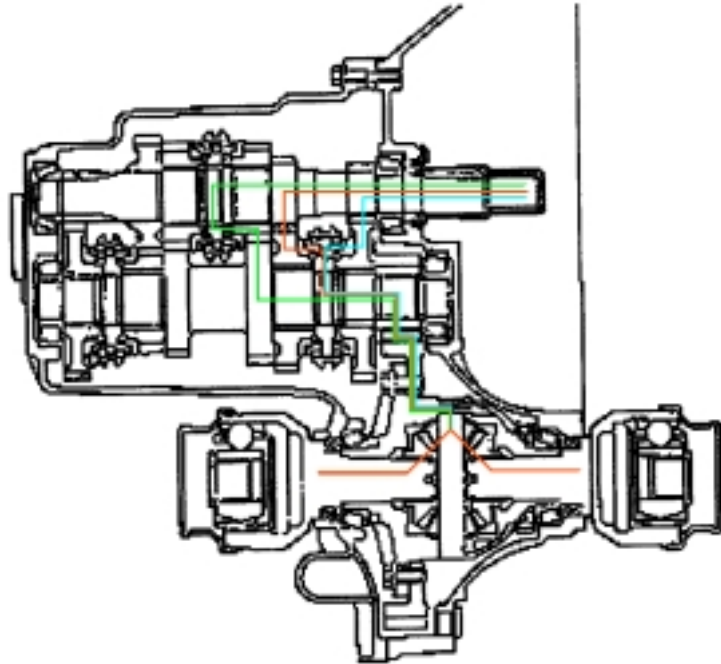
Use a different color of pencil or pen to show the power flow through the cutaway of the 5-speed transaxles shown below. Plan your work carefully because you could have as many as 3 lines going certain parts.

1st, 2nd, and 3rd gears:

Color used for 1st gear: Blue

Color used for 2nd gear: Red

Color used for 3rd gear: Green



4th, 5th, and reverse gears:

Color used for 4th gear: Blue

Color used for 5th gear: Red

Color used for reverse gear: Green

