

Identify transaxle parts

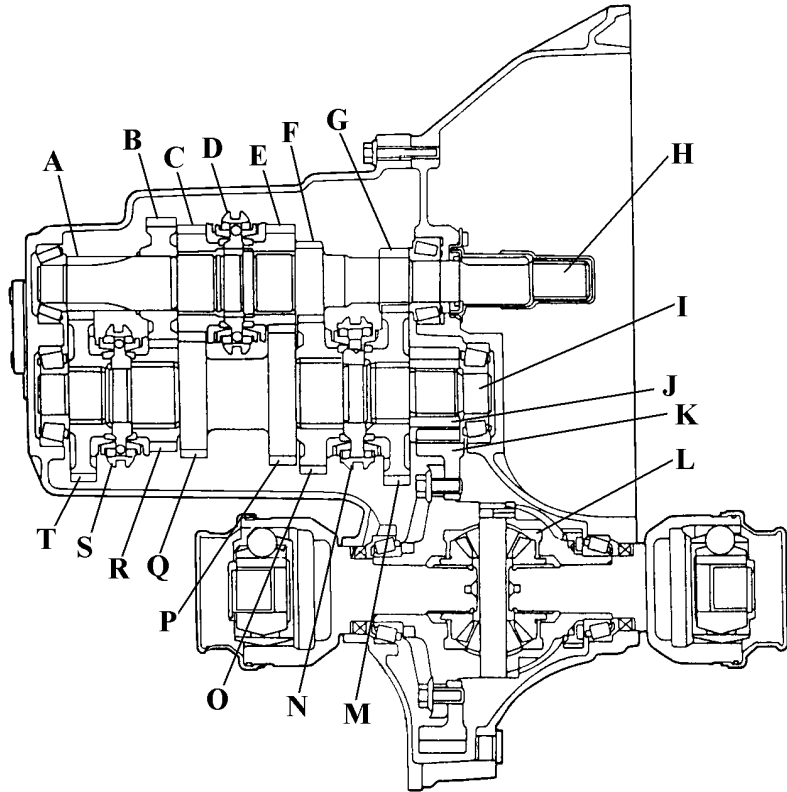
Student Name _____

KEY

Date _____

A cutaway 5-speed transaxle is shown. Identify the various parts.

Note: There is an additional gear that is hidden and meshed with gears A & T. (Reverse Idler Gear)

A. Reverse Driving Gear _____K. Ring Gear _____B. 5th Gear _____L. Differential/Differential Gears _____C. 4th Speed/Driving Gear _____M. 1st Speed/Driven Gear _____D. 3-4 Synchro. Assy. _____N. 1-2 Synchro. Assy. _____E. 3rd Speed/ Driving Gear _____O. 2nd Speed/Driven Gear _____F. 2nd Driving Gear _____P. 3rd Driven Gear _____G. 1st Driving Gear _____Q. 4th Driven Gear _____H. Clutch/Input Shaft _____R. Reverse Driven Gear _____I. Intermediate/Counter Shaft _____S. 5-Rev Synchro. Assy. _____J. Pinion Gear _____T. 5th Speed/Driven Gear _____