

Clutch Power Flow

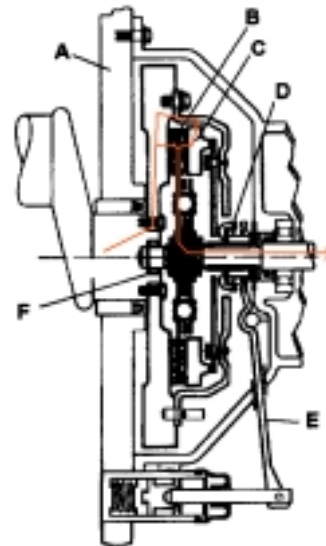
Student Name _____

KEY

Date _____

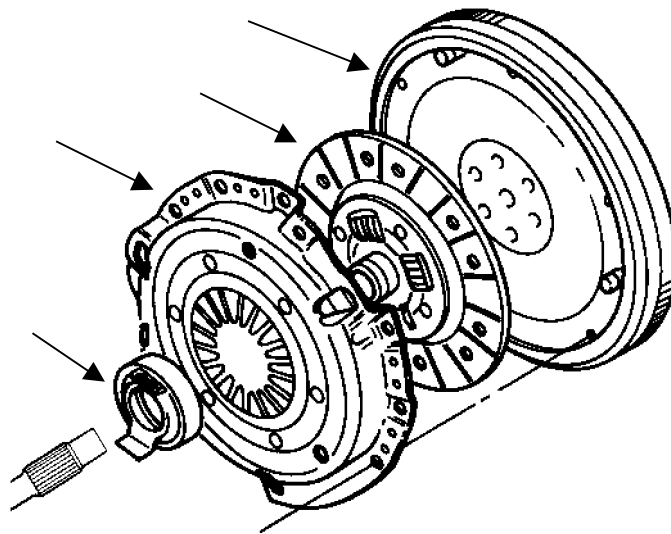
1. Identify the parts of this cutaway clutch assembly, and

- A. Engine Block
- B. Clutch Disc
- C. Pressure Plate
- D. Release/Throwout Bearing
- E. Clutch Fork
- F. Pilot Bearing



2. Draw a line through the cutaway clutch to show the power flow.

3. List the clutch parts in the order of the power flow.



- A. Flywheel
- B. Pressure Plate Assembly
- C. Clutch Disc
- D. Release bearing controls the power flow