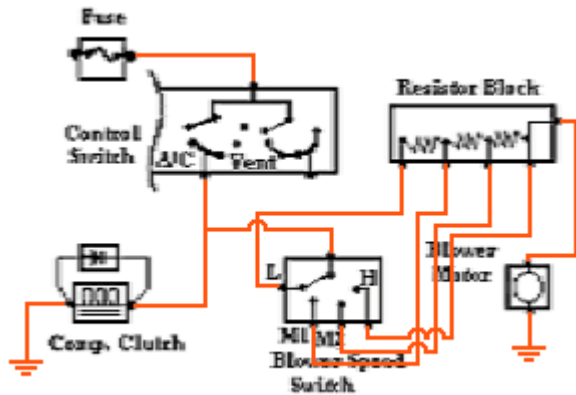


Electrical Control Circuits, Chapter 8

Student Name _____ **Key** _____

1. Locate the wiring diagram for a simple heating and A/C circuit (with the resistor block on the switch side of the blower motor) in a service manual, and add the wires and any missing parts needed to complete this diagram.

Vehicle Identification, Make: _____, Model: _____, Year: _____
Service Information Source, Name: _____, Section: _____



2. Locate a circuit with the resistor block on the ground side of the blower, and add the wires and any missing parts needed to complete this diagram.

Vehicle Identification, Make: _____, Model: _____, Year: _____
Service Information Source, Name: _____, Section: _____

