

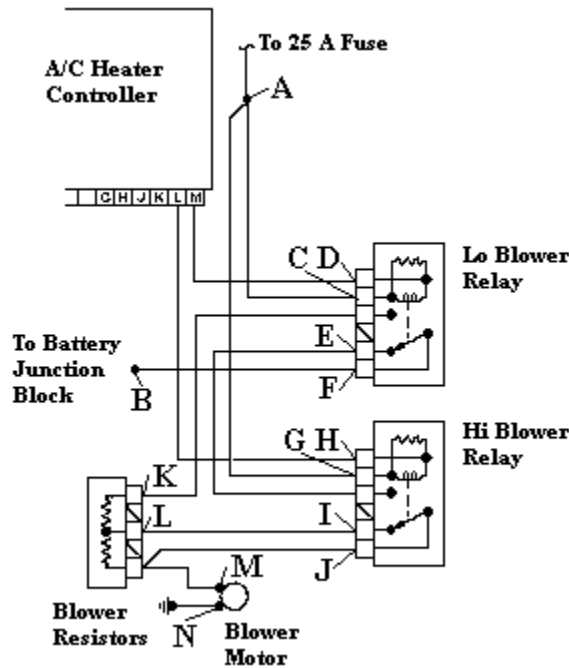
Cooling Fan Circuit, Voltage Checks, Chapter 14

Student Name _____

KEY

Date _____

You are checking the voltage at various points through this cooling fan circuit with the control switch in different positions. Each check point is indicated by a letter A through N.



Indicate the voltage that should be at each of the check points under the conditions listed in the left column.

Condition	Checking Point													
	A	B	C	D	E	F	G	H	I	J	K	L	M	N
KO, EO	12.5	12.5	12.5			12.5	12.5							0
KO, ER	12.5	12.5	12.5		12.5	12.5	12.5							0
KO, EW	12.5	12.5	12.5	5	12.5	12.5	12.5		10	10	12.5	10	10	0
KO, A/CO	12.5	12.5	12.5	5	12.5	12.5	12.5	5	12.5	12.5	12.5	10	12.5	0

KO, EO = Key on, Engine off; KO, ER = Key on, Engine running; KO, EW = Key on, Engine warm; KO, A/C on = Key on, A/C on

Note to instructor: Without service information, the actual voltages are guesswork. There is also a question on when some of the terminals are turned on. B+ could be used in place of 12.5. Also, there could be an allowance for 0.1V drop per connection.