

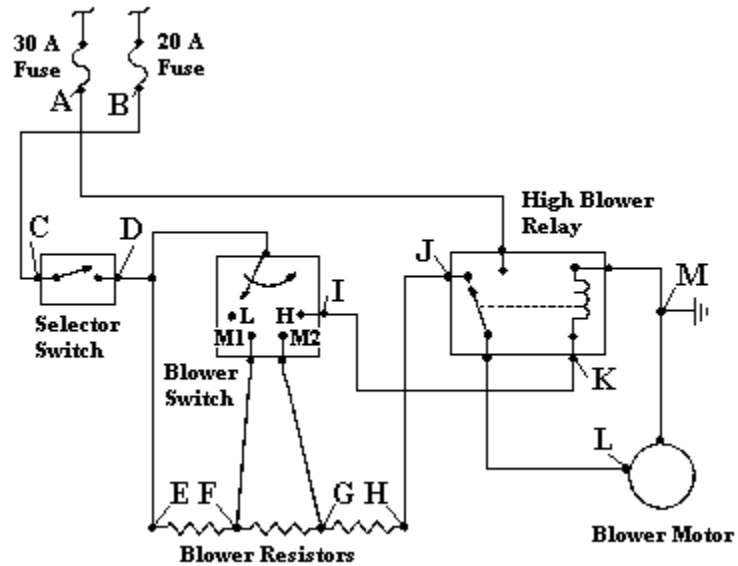
Blower Motor Circuit, Voltage Checks, Chapter 14

Student Name _____

KEY

Date _____

You are checking the voltage at various points through this compressor clutch circuit with the control switch in different positions. Each check point is indicated by a letter A through M.



Indicate what the voltage should be at each of the check points.

Selector Switch	Blower Switch	Checking Point													
		A	B	C	D	E	F	G	H	I	J	K	L	M	
OFF	L	12.5	12.5	12.5											0
ON	L	12.5	12.5	12.5	12.5	12.5	10	8	6		6		6		0
ON	M1	12.5	12.5	12.5	12.5	12.5	12.5	10	8		8		8		0
ON	M2	12.5	12.5	12.5	12.5	12.5	12.5	12.5	10		10		10		0
ON	H	12.5	12.5	12.5	12.5	12.5	10	8	6	12.5	6	12.5	12.5		0

Note to instructor: Without service information, the actual voltages are guesswork. There is also a question on when some of the terminals are turned on. B+ could be used in place of 12.5. Also, there could be an allowance for 0.1V drop per connection.

