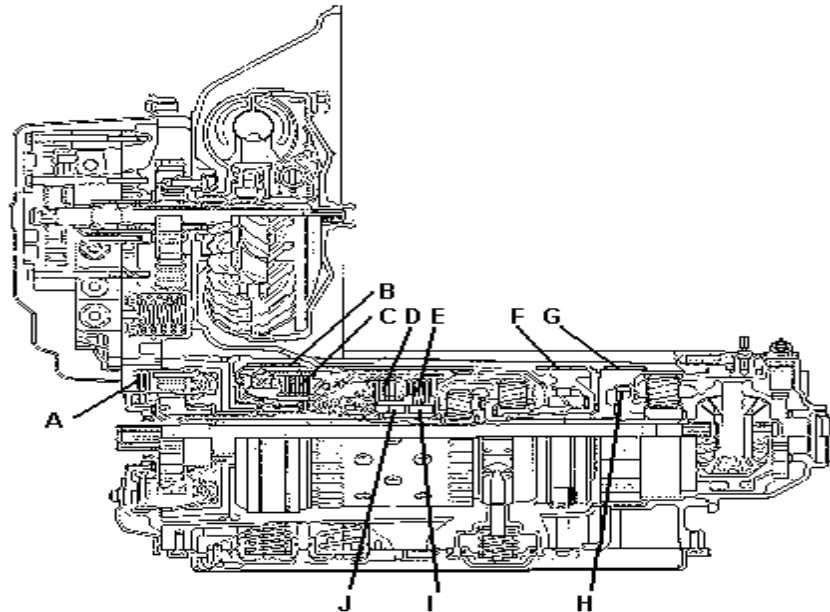


Student Name _____

KEY

Date _____

This is a cutaway view of a General Motors 4T60-E transaxle. It is a 4-speed unit used in FWD vehicles. It is one of the more complex transaxles in that it uses 10 control devices.



Enter the name of each of these devices, identify what type of device it is (band, clutch, or one-way clutch), whether it is a driving or holding member, and what gear it is used in.

DEVICE NAME	DRIVING/REACTION	BAND, CLUTCH, 1-WAY CLUTCH	GEAR USED IN
A 4th Clutch	Reaction	Clutch	OD 4
B Reverse Band	Reaction	Band	Reverse
C 2nd Clutch	Driving	Clutch	OD 2, 3 & 4; D 2 & 3; M 2
D 3rd Clutch	Driving	Clutch	OD 3 & 4 (NE), D 3; 1
E Input Clutch	Driving	Clutch	P & N (NE); D 1, 2 (NE) 3; M 2 (NE) & 1; M 1; R
F 2-1 Band	Reaction	Band	M 2 & M 1
G Forward Band	Reaction	Band	OD 1, 2, 3 & 4; D 1, 2 & 3, M 2; M 1
H 1-2 Roller Clutch	Reaction	1-WAY CLUTCH	OD 1 & 2; D 1 & 2; M 2; M 1
I Input Sprag	Driving	1-WAY CLUTCH	OD 1; D 1 & 3; M 2 (1st); M 1; R
J 3rd Sprag	Driving	1-WAY CLUTCH	OD 3; D 3; M 1

What was your source of information? _____