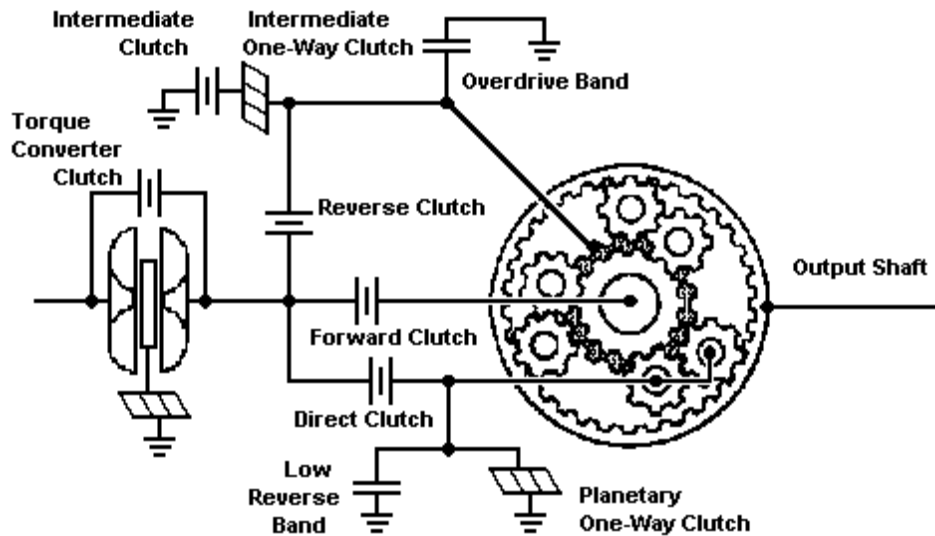


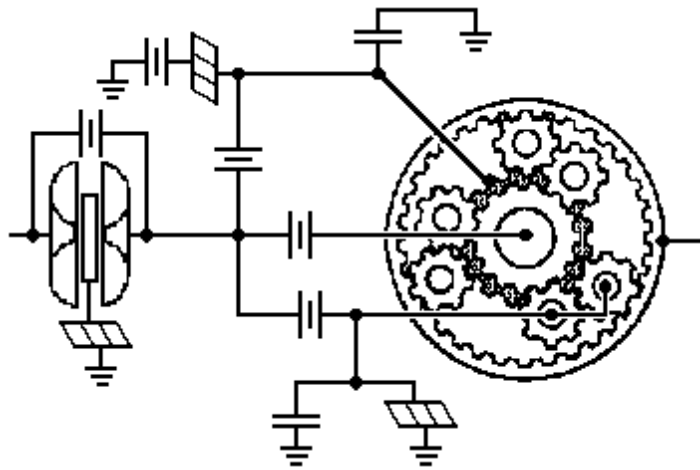
Student Name _____

Date _____

Directions: The clutch and band arrangement for a Ford 4R70W (AOD) is shown. Circle the names of the input apply devices. Draw a box around the names of the reaction apply devices..



1. 1st gear: The input apply device is the _____; it drives the _____.



Color the input apply device and its planetary member blue.

The reaction apply device is the _____; it holds the _____.

Color the reaction apply device and its planetary member red.

What are the long planet pinion gears doing?

What are the short planet pinion gears doing?

2. 2nd gear: The input apply device is the _____; it drives the _____.

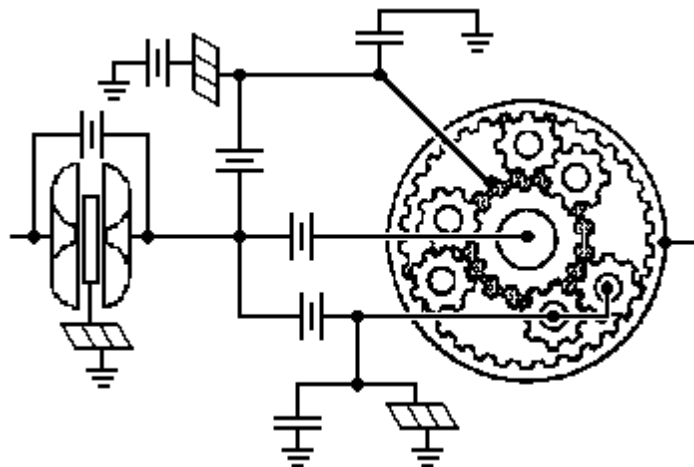
Color the input apply device and its planetary member blue.

The reaction apply device is the _____; it holds the _____.

Color the reaction apply device and its planetary member red.

What are the long planet pinion gears doing?

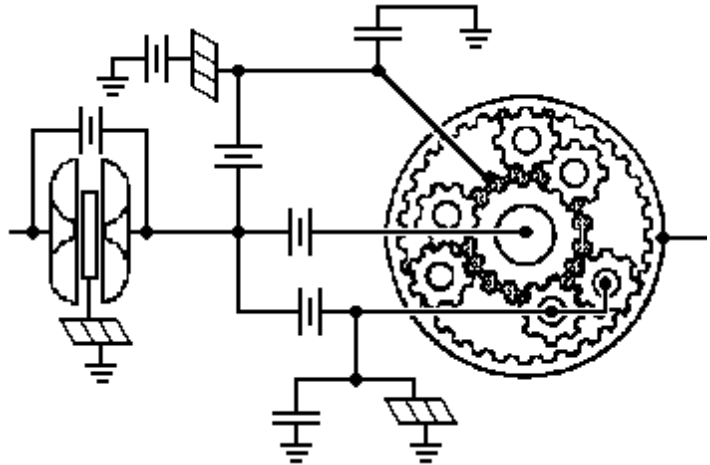
What are the short planet pinion gears doing?



3. 3rd gear: The input apply device are the _____; it drives the _____.
 Color the input apply devices and its planetary member blue.

What are the long planet pinion gears doing?

What are the short planet pinion gears doing?



4. 4th gear: The input apply device is the _____; it drives the _____.
 Color the input apply device and its planetary member blue.

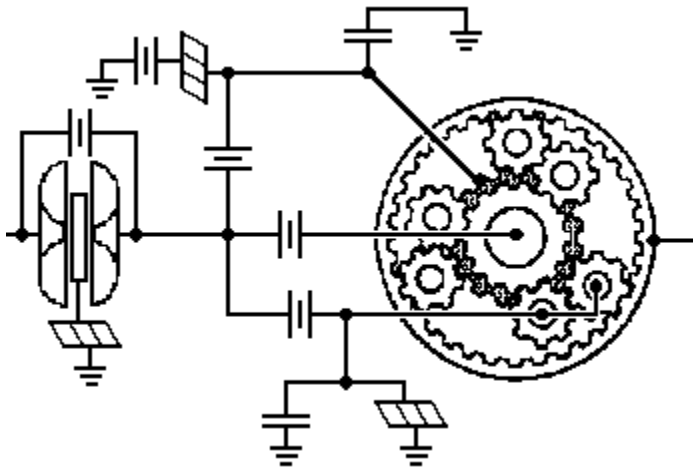
Color the input apply device and its planetary member blue.

The reaction apply device is the _____; it holds the _____.

Color the reaction apply device and planetary member red.

What are the long planet pinion gears doing?

What are the short planet pinion gears doing?



5. Reverse gear: The input apply device is the _____; it drives the _____.
 Color the input apply device and its planetary member blue.

Color the input apply device and its planetary member blue.

The reaction apply device is the _____; it holds the _____.

Color the reaction apply device and its planetary member red.

What are the long planet pinion gears doing?

What are the short planet pinion gears doing?

